



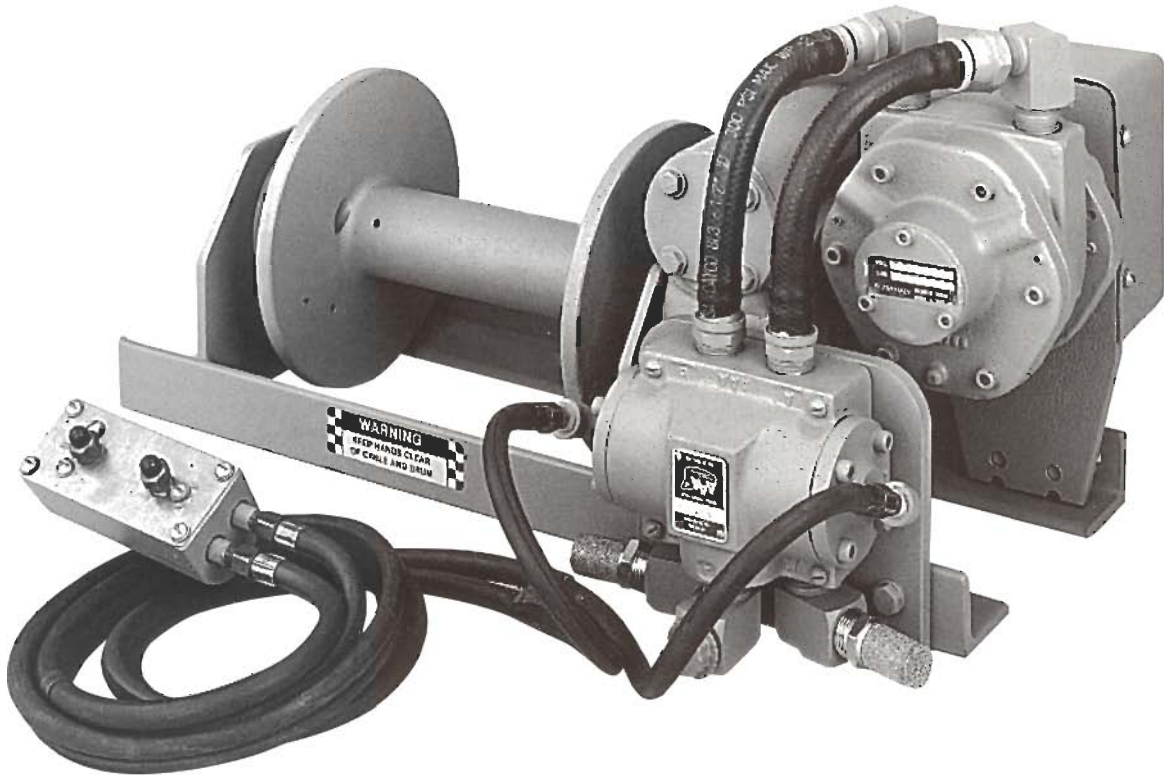
MODEL

Air 1000

STANDARD SERIES

The Standard Pneumatic Winch-Hoist

1,250 lb Single-Line or 2,500 lb Double-Line Lift



APPLICATIONS

CONSTRUCTION:
MECHANICAL, SHEET METAL, IRON WORKING

INDUSTRIAL:
MAINTENANCE, MATERIAL HANDLING, ROLLING LOADS

CONVEYOR MAINTENANCE

STACK EMISSION TESTING

TOWER MAINTENANCE

FEATURES

- Worm gear reduction for positive load holding
- Rugged construction
- Pneumatic power
- 10 ft pendant control
- High capacity cable drum
- Frictionless bearings
- Full power reversible
- Optional manual trolley



MODEL

Air 1000

STANDARD SERIES

SPECIFICATIONS

Construction Features:

- Heavy-duty angle base drilled for six (6) 1/2" bolts (9/16" mounting holes) with no welding required
- Fully sealed aluminum housings, with precision-cut gears, run in an oil bath
- Stress-proof drum shaft
- Frictionless bearings

Gear System:

- 60:1 total reduction
- 30:1 hardened steel worm and forged bronze worm gear drive
- 2:1 motor to worm shaft chain drive with chain guard

Power:

- Optimal performance with 100 psi, 65 cfm

Speeds:

- 25 FPM: 600 lbs – single-line lift
- 15 FPM: 1,250 lbs – single-line lift
- 7.5 FPM: 2,500 lbs – double-line lift

Duty Cycle:

- 50% – 30 min/hr when operating at full load

Drum Storage:

- 1/8" – 1,000 ft 1/4" – 250 ft
- 3/16" – 450 ft 5/16" – 150 ft

For best results, use the minimum amount of cable required for application plus four safety turns around the drum. Cable sold separately. Length and size must be specified at time of order.

Lifting Capacity:

- 1,250 lbs – 1-2 layers of cable (39 ft of 1/4" cable)
- 800 lbs – 3 layers of cable (65 ft of 1/4" cable)
- 600 lbs – full drum of cable (250 ft of 1/4" cable)

Pulling Capacity:

- 10% (6°): 10,000 lbs 60% (31°): 1,900 lbs
- 20% (11°): 5,000 lbs 80% (39°): 1,600 lbs
- 40% (22°): 2,600 lbs 100% (45°): 1,400 lbs

My-te winch-hoists are rated for what they will vertically lift. Above data is based on the total load that may be pulled, single line, up a given incline. All capacities are reduced 20% to allow for minimum friction in pull.

Cable Strength:

- 5-to-1 recommended safety factor
- Top-quality galvanized cable available in the following breaking strengths:

1/8" – 2,000 lbs 1/4" – 7,000 lbs
3/16" – 4,200 lbs 5/16" – 9,800 lbs

Dimensions: (W x H x L')

12 x 11" x 22"

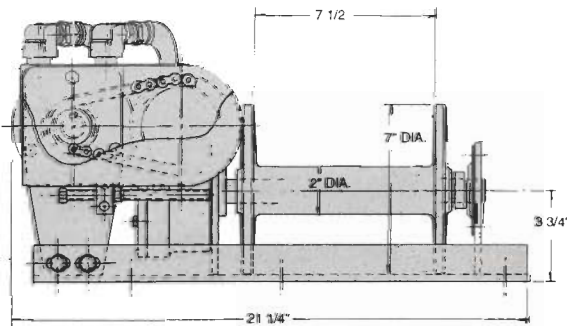
Shipping Weight: 77 lbs

Factory-Installed Options:

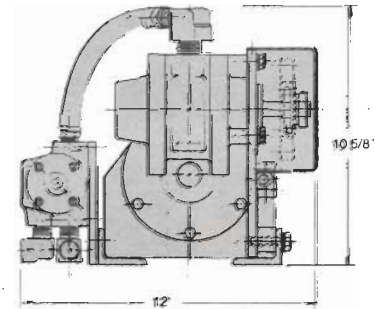
- Free-Wheeling Clutch
- Hand Crank
- Trolley Mounting
- Alternate Drums

Note: For additional information on other available factory-installed options and accessories, see catalog sheets 31 and 33.

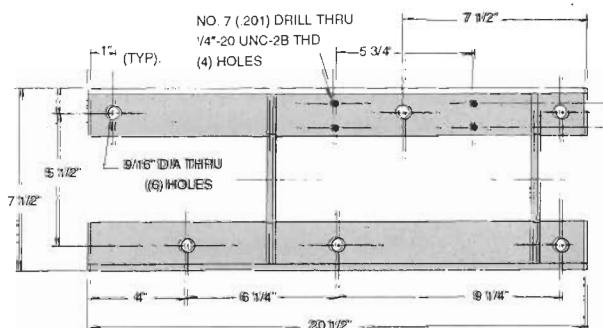
FRONT VIEW



SIDE VIEW



TOP VIEW (FRAME ONLY)



- My-te can even custom design winch-hoists for your special needs. For applications assistance, including the specification of a My-te winch-hoist to meet your requirements, see your My-te distributor or call My-te Products, Inc.

All My-te winches and hoists are designed for material handling usage only.



MY-TE PRODUCTS, INC.

9880 EAST 30TH STREET
INDIANAPOLIS, INDIANA 46229
(317) 897-9880
FAX (317) 897-9811